

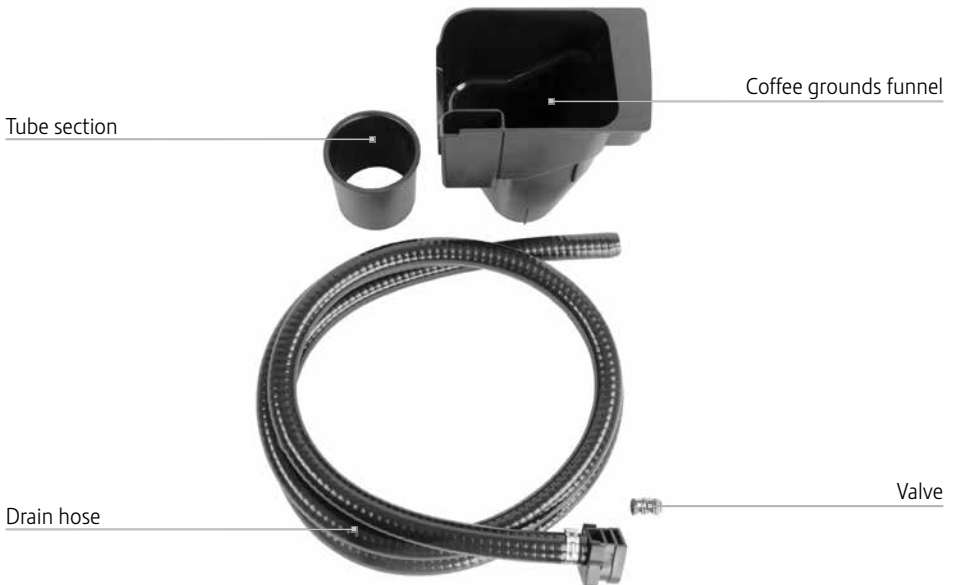


Coffee grounds disposal / drip drain set X line
Instructions for use

Table of contents

Supplied as standard	5
1 Tools required.....	6
2 Installation	6
Preparation	6
Coffee grounds disposal function.....	6
Drip drain	6
Final jobs	7
3 JURA contact details	7

Supplied as standard



Information about operating the coffee machine with the coffee grounds disposal / drip drain set:
To deactivate the coffee machine's coffee grounds counter, you must activate the direct disposal option using the customer software.

1 Tools required

- Drill
- File
- In addition for coffee grounds disposal function
 - 60 mm core drill bit
 - 70 mm core drill bit
- In addition for drip drain
 - 10 mm drill bit
 - Core drill bit of at least 35 mm

2 Installation

Preparation

- ▶ Switch off coffee machine.
- ▶ Unplug from the power socket.
- ▶ Remove the water tank.
- ▶ **Lock** the aroma preservation cover of the bean container.
- ▶ Remove drip tray and coffee grounds container.

Coffee grounds disposal function

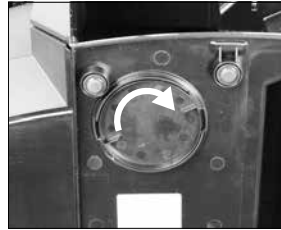
- ▶ Drill hole in underside of drip tray (with 60 mm core drill bit).



- ▶ Deburr drilled hole with a file.
- ▶ Fit coffee grounds funnel in drip tray.



- ▶ Drill hole for coffee grounds disposal in tabletop (70 mm core drill bit). For position, see illustration on last page of these instructions for use.
- ▶ Carefully lay the coffee machine on its back.
- ▶ Remove round cover.



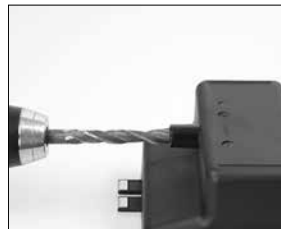
- ▶ Insert tube section and tighten.



- ▶ Place coffee machine and tube section in tabletop hole and/or install drip drain (see following section).

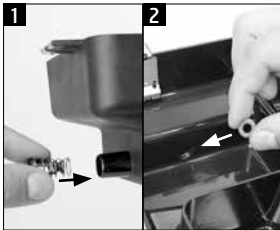
Drip drain

- ▶ Drill hole for valve in drip tray (10 mm drill bit).



- ▶ Deburr drilled hole with a file.

- ▶ Insert valve (valve body and pressure spring from outside, red O-ring from inside).

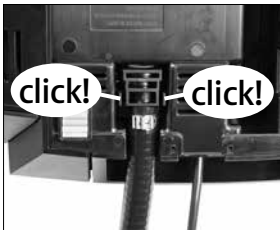


3 JURA contact details

JURA Elektroapparate AG
Kaffeeweltstrasse 10
CH-4626 Niederbuchsiten
Tel. +41 (0)62 38 98 233

- @ You will find additional contact details for your country at www.jura.com.

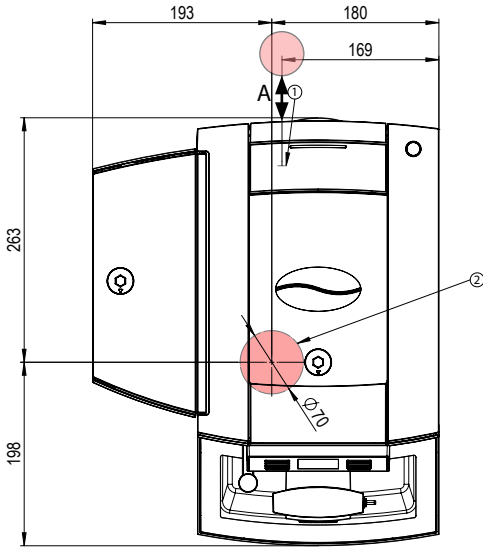
- ▶ Drill hole for drain hose in tabletop (core drill bit of at least 35 mm; distance from machine of at least 40 mm). For position, see illustration on last page of these instructions for use.
- ▶ Carefully lay the coffee machine on its back.
- ▶ Slide drain hose into guide until it clicks.



- ▶ Set coffee machine upright again.
- ▶ Guide drain hose through hole in tabletop.

Final jobs

- ▶ Fit drip tray.
- ▶ Fit water tank.
- ▶ Plug the machine into the power socket.
- ▶ Switch on coffee machine.



disposal (2) and drain hose (1) on bottom of machine (minimum distance (A) of hole from machine: 40 mm).