



WMF COFFEE MACHINES

Base Information

WMF Type 5500 espresso



WMF espresso

Application

Espresso, Milky Coffee, automatic and manual
Steam and Tea Water

Capacity

For Outlets up to 300 Cups/Day

Service Period

Approximately 10,000 brewing

With a traditional portafilter machine, technical know-how is required to prepare the perfect espresso. Even setting the grinders and deciding the correct tamping pressure is an art in itself.

The WMF espresso measures all vital brewing parameters, grinds and tamps automatically. Insert the portafilter, press the button, prepare yourself for the perfect espresso, remove the portafilter and all done. This process reliability guarantees consistently high quality coffee, which is why truly anybody can operate the WMF espresso.

The WMF espresso bridges the gap between two worlds. Handmade. Automatically.

TECHNICAL DATA

Base Models

Hourly Output

Espresso

Café Crème

Cappuccino

Number of selectable products

Total Hot Water Output

Product Containers

Coffee Bean Hopper

Dimension

Height x Width x Depth

Weight

Outlet Height

Single cup

Double cup

Connections

Power Supply

Water Supply

Drainage

FIX WATER VERSION

03.5500.0004

up to 240 Cups

up to 240 Cups

up to 300 Cups

6

48 L

two times 550 g

723 x 580 x 540 mm

~ 75 kg

140 mm

135 mm

3P/N/E 400 V, 50/60 Hz, Fuse 32A

1/2" (minimum 1.5 bar)

25 mm

WMF AG Coffee Machines International 73312 Geislingen/Steige, Germany

Phone +41 7331 258482 Fax +41 7331 258792, Mail: professional@wmf.com, Web: http://www.wmf.com

Service Agent: RICMAS International Pte. Ltd. 25 International Business Park, German Centre #01-07/10, Singapore 609916

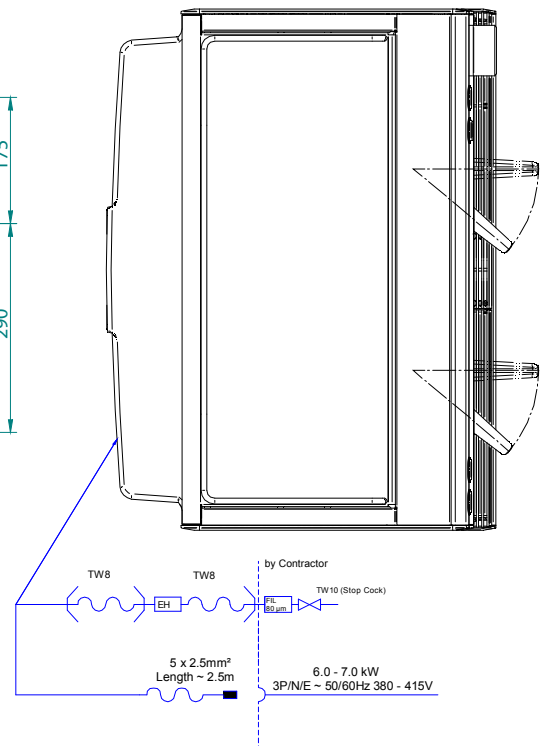
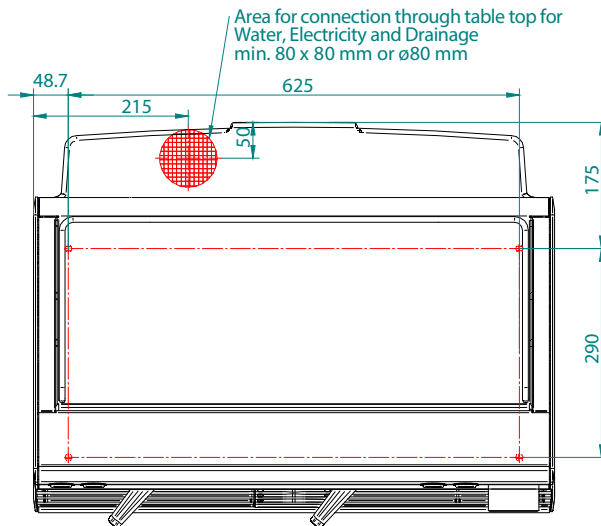
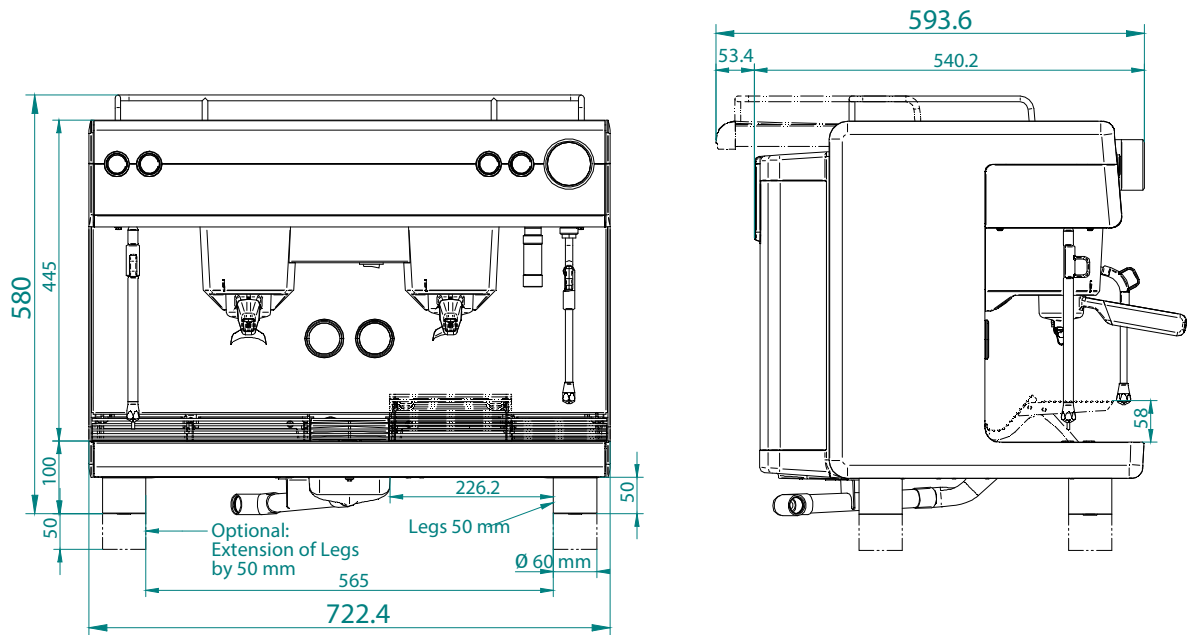
Phone: +65 65628853, Fax: +65 65628854, Mail: wmf@ricmas.com, Web: http://www.ricmas.com



WMF COFFEE MACHINES

Planing Information

WMF Type 5500 espresso





WMF COFFEE MACHINES

Data Sheet

WMF Type 5500 espresso

Brewing process:	Speciality Espresso based products with Portafilter. The brewing process is automated from grinding to tamping and brewing. Ejection of waste coffee is manual.
Daily output:	Up to 300 cups of speciality coffees with or without added milk or milk foam, 48 L hot water total output per day
Option:	03.9080.0001 Waste Coffee Knock Box 03.5599.3001 Add on Kit additional 50 mm Legs
Accessories:	Cleaning brush, basic equipment decalcifier, cleaning tablets, milk-cleaner. Water preparation filter (dimensions 126 mm Ø x 490 mm height), drainage connection DN 19
Degree of protection:	IPX0
Protection class:	Protection class I
Perceptible heat emission:	0.15 kWh/h in standby mode
Perceptible heat emission:	7.0 kWh/h in maximum mode
Cont. sound level (Lpa)	< 70 dB (A)
Water connection:	DN 15, (3/8") with stop cock
Flow pressure:	Min. 0.05 MPa (0.5 bar) at 2L/ Min (Low Pressure setting) Min. 0.3 MPa (3 bar) at 2 L/min (normal setting) Max. 0.6 MPa (6 bar), Temperature max. 35°C
Miscellaneous:	coffee machine with dry residue discharge manually into a knock box
Drain:	Drain DN 19, gradient at least 2‰
Empty weight:	ca. 75 kg